

aura
design

www.auraadesign.co.uk

YADON
Meeting Table



Yadon

Yadon

Yadon is an expression of inimitable and timeless elegance enhanced by refined geometries and noble materials.

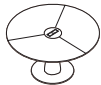


Yadon SYNOPTIC GRID

h 75 cm



ø 120 cm



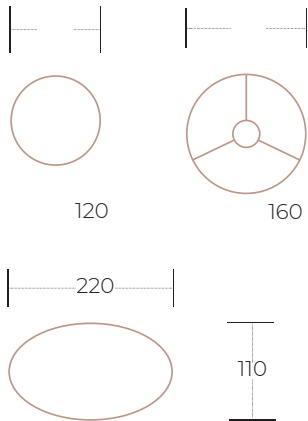
ø 160 cm



w 220 cm
d 110 cm



Yadon TECHNICAL FEATURES

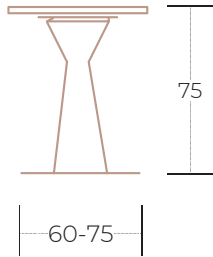
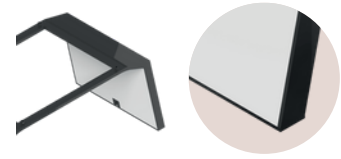


• MDF veneer tops:

made of MDF 30 mm. thickness, coated on both sides with wood veneer thickness. 0.6 mm. and edging strip with solid wood thickness. 1 mm. rounded with a radius of 2 mm. The surfaces have tapered and beveled perimeter. The painting is made with colored water and final transparent coat or lacquered open pore finish. The desk tops have the insertion of decorative rods in metal thickness. 3 mm, in chrome-plated. In these bars are housed, to the right and to the left, two extractable gaps shaped to allow the passage of electric cables and computer.

• Ceramic tops:

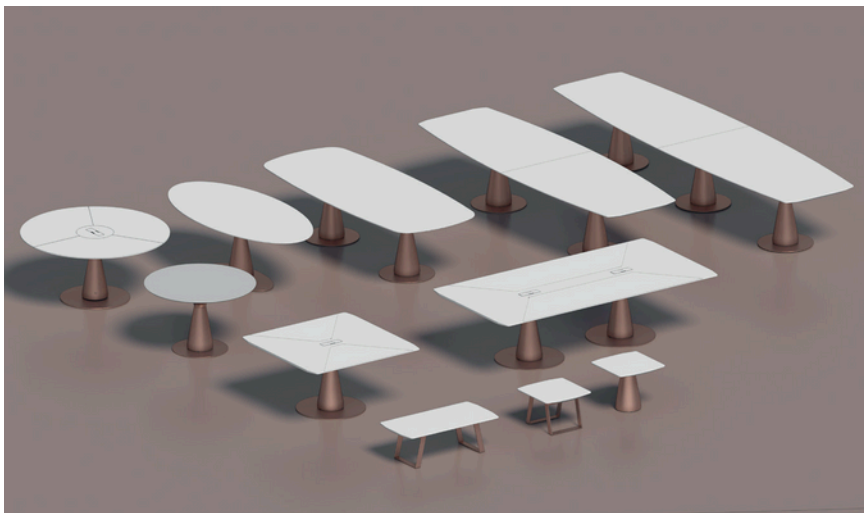
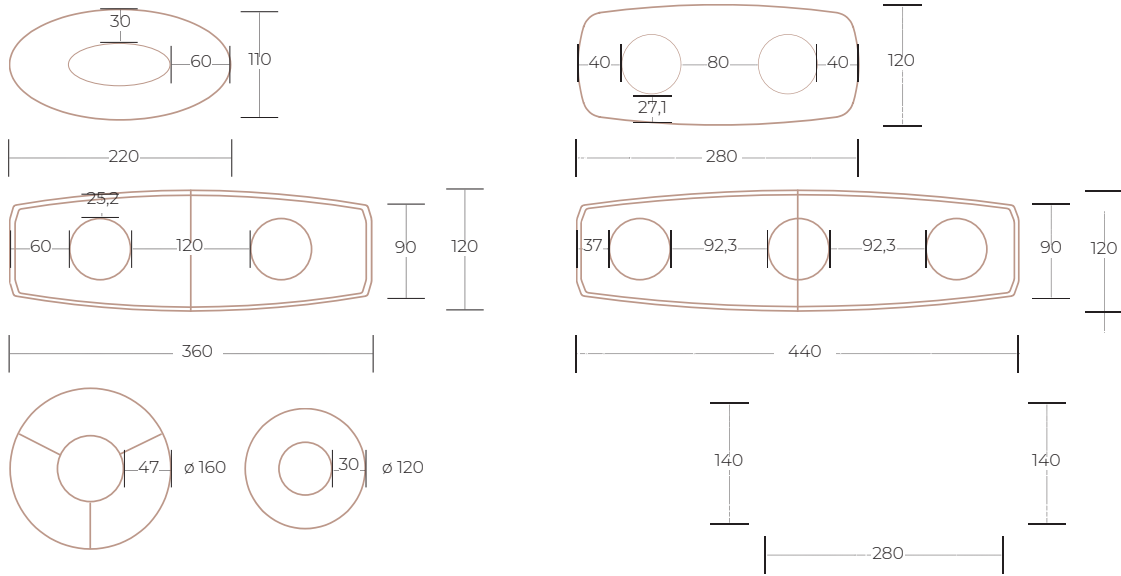
made of 10 mm thick tempered glass, chamfered at 45° with a 6mm thick ceramic sheet glued to it.



• Meeting tables bases:

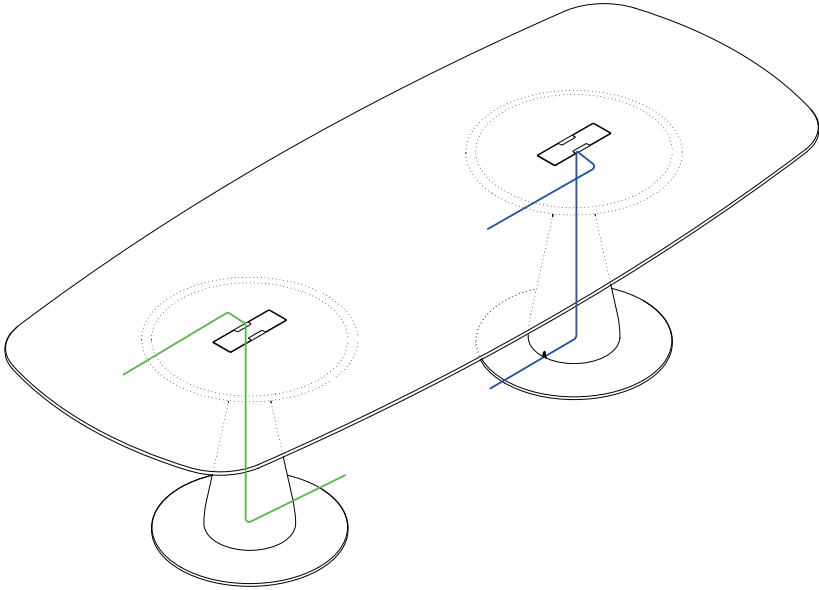
made with 2 elements in a truncated cone shape, made of a steel press bent sheet, between them bended with threaded rods. The conical part of the basement floor is arranged with a hole for the cable inlet and is equipped with round or oval pedestals with different measures depending on the shape of the surface. The column is prepared for the ascent of the cables and for housing the port socket box. The surface is attached to the bases with screws through the top edge.

Yadon CONSTRUCTION FEATURES



• Tables abacus

Yadon ELECTRIFICATION OF MEETING TABLES



Top access in veneer integrated with cable tray



Foldway socket holder Versaturn+1 power cord W.200cm

- **Cabinets:**

these are provided in 3 heights, 2 widths and 1 depth and externally finished with a modular top, wood thickness 13 mm, and a pair of side panels, with modular height, wood thickness 39 mm. The top overlaps on the side finish.

- **Structure:**

made from chipboard (weighing 620 Kg per cubic metre, class E1 classified with a low emission of formaldehyde, class 2 classified for reaction to fire according to ISO standards). It is faced with 18mm thick decorative paper with a black finish impregnated with melamine resins for sides, top and bottom; 12mm thick for the back and 25mm thick for fixed and adjustable interior shelves. The sides have double holes at intervals of 32mm that are suitable to accommodate interior fittings and the hinges of the doors. While levelling feet in black ABS having a diameter of 5 cm and a height of 1.8 cm are applied to the bottom panel. Quick assembly of the structure is possible by using special metal corrosion-resistant hardware. Suitable holes on the sides allow the use of telescopic fixing screws used to join the structures together.

- **Veneer doors:**

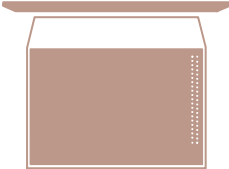
made of thick chipboard. mm. 18 coated on both sides with a veneer having 0.6 mm. thick and painted, such as desk tops. Along the outer sides have rounded edges in solid wood and varnished mm thick. 1 mm. radius. 2.

- **Glass doors:**

with perimeter frame made of extruded polished aluminum and thick tempered glass. 4 mm. The glass of the "frosted" have the outer surface in satin finish and varnished inner surface finishes such as color chart, the opening of the doors is through the power chromed knobs, on these doors you cannot mount the lock.

Meeting tables • FINISHES

Worktops, modesty panel, legs



• Veneer



• Shell



• Metal



aura design



Hub Spaces, 582 Honeypot Lane, Stanmore, HA7 1JS, UK
www.auraadesign.co.uk
020 3915 8008
info@auraadesign.co.uk