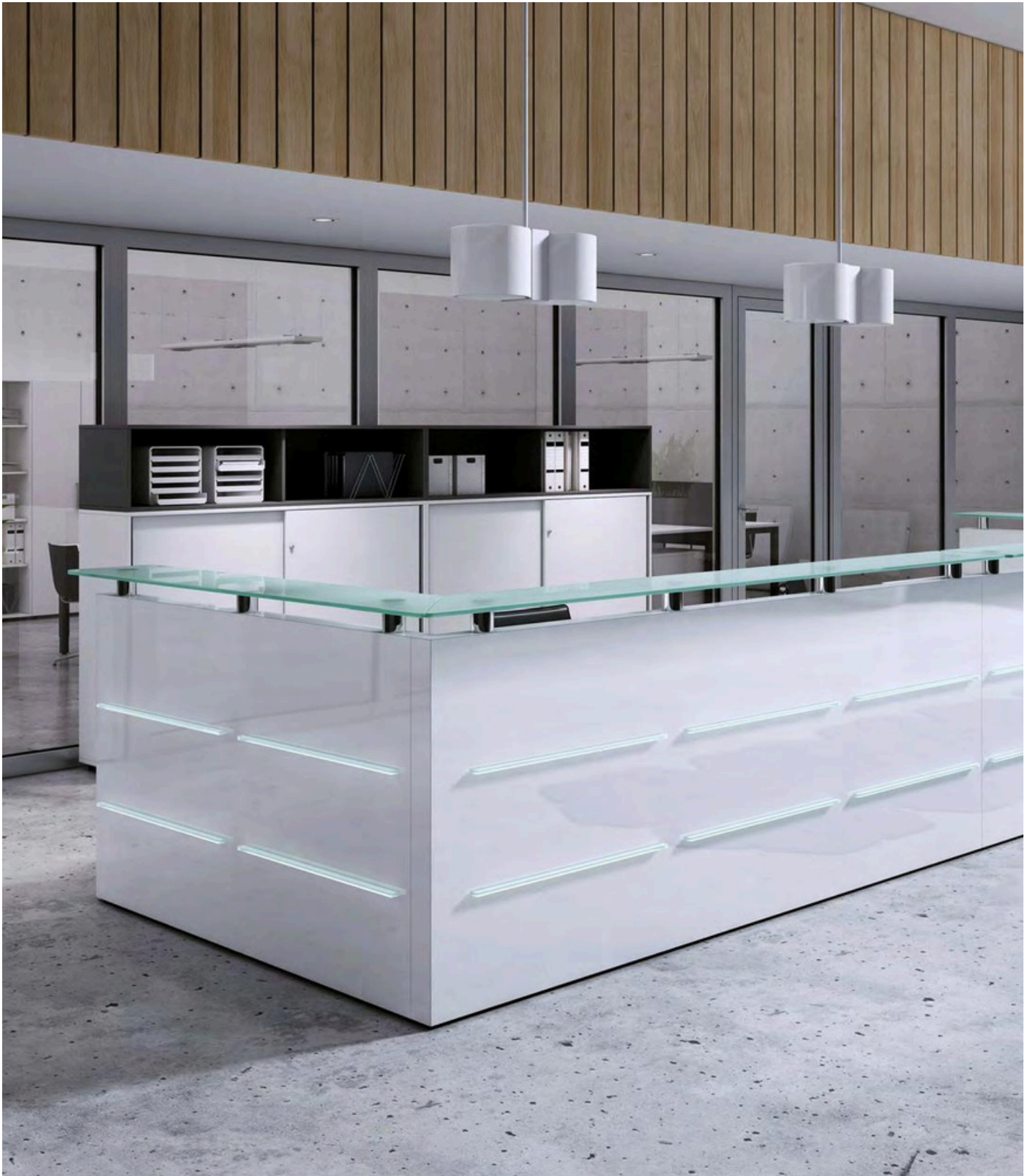


aura
design

Donzel



Reception counters Donzel



Reception counters - Donzel

Donzel is a collection of reception counters with exceptional finishes. It features straight and curved reception counters that enable to build multi-piece set-ups. The reception counters are covered with HPL laminate and are available in different finishes: plain front (with or without a base), front with a decorative profile (with or without a base) or front with LED ambient light. Additionally, board or Satinato or Black Opti glass add-on counter tops are available. A wide range of accessories enables to create an ergonomic work station with esthetically managed cables.

Standalone curved reception counters

WORK TOP

- Chipboard coated on both sides with melamine resin with increased durability - 1st class.
- Chipboard with reduced formaldehyde emission, E1 standard.
- 25 mm thick top finished with 2 mm thick ABS plastic edge with 3 mm radius.
- Top affixed to front at the height of 740 mm. - Elliptic ergonomic outlet as standard.



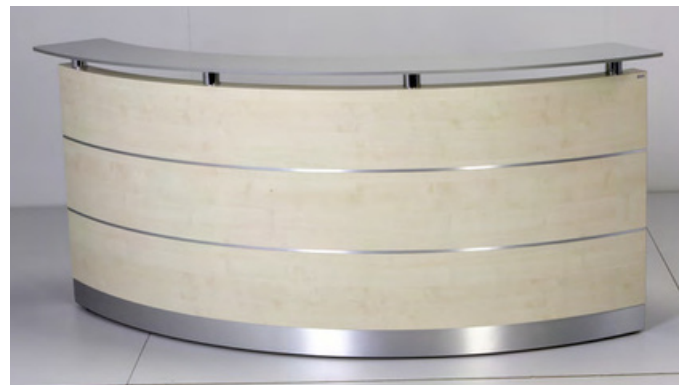
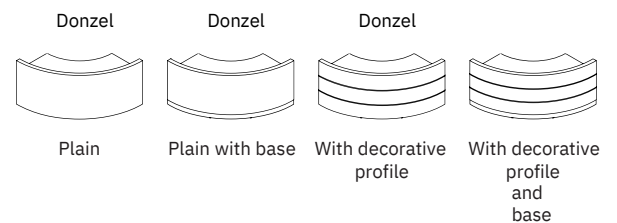
ADD-ON TOP

- All low Donzel reception counters can be equipped with add-on tops (as an option with a surcharge) affixed on 70 mm high chromium-plated plinths Ø 60 mm in diameter.
- Add-on tops are available in two options: board and glass.
- 12 mm thick glass add-on tops are finished with Satinato or Black Opti Glass.
- 12 mm thick board add-on tops covered with 0.8 mm thick HPL laminate with 2 mm thick ABS plastic edge with 3 mm radius.



RECEPTION COUNTER FRONT

- Skeleton construction covered with 0.8 mm thick HPL laminate.
- Fronts are equipped with leveling feet +10 mm. -The elements of reception counters are connected with Lamello screw joiners.



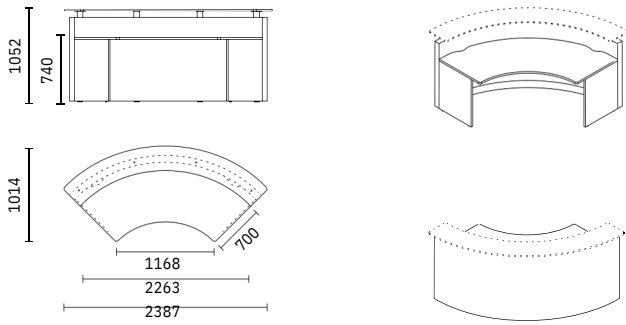
ADDITIONAL EQUIPMENT

- Horizontal cable channels for curved reception counters affixed to the inner side of the fronts or under the work top or flexible cable channels affixed under the work top as an option with a surcharge.

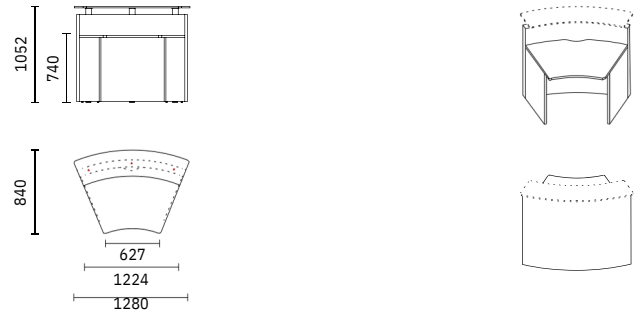
ADDITIONAL INFORMATION

- Colours according to Donzel -Bases and decorative elements of reception counters are available only in brushed aluminum colour.
- Due to technology, the sets of reception counters are produced as an inseparable whole and it is impossible to order additional elements later.

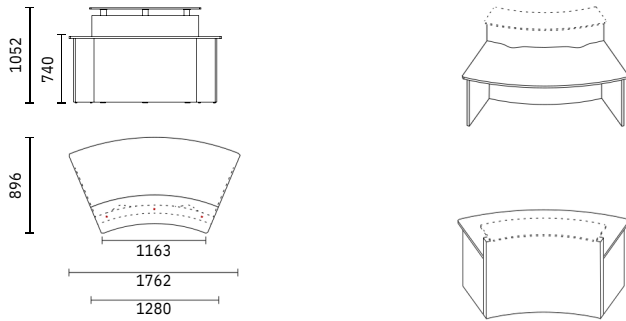
Curved reception counter R: 1600 mm 90°



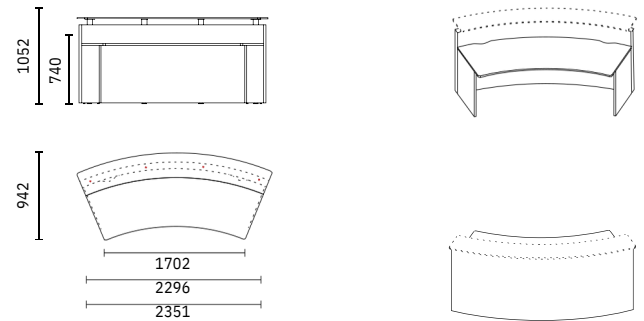
Curved reception counter R: 1600 mm 45°



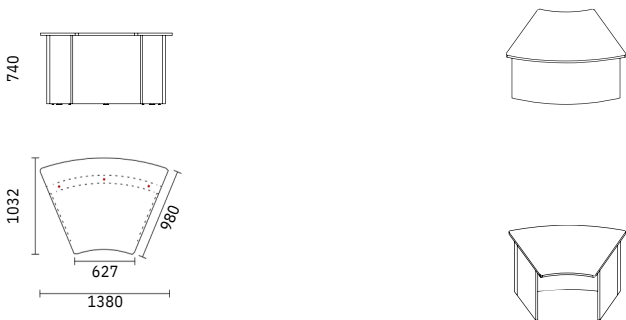
Curved reception counter R: 1600 mm 45° Internal



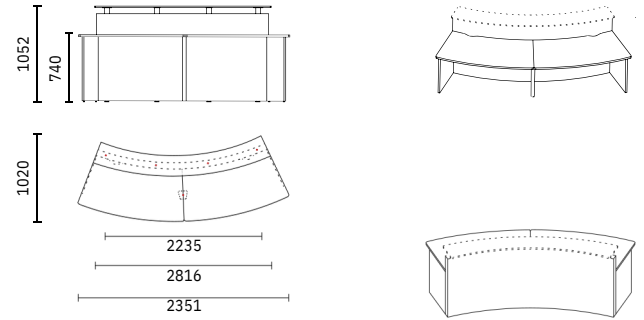
Curved reception counter R: 1600 mm 45°



Curved reception counter R: 3000 mm 45° low H:740



Curved reception counter R: 3000 mm 45° Internal



Standalone straight reception counters

WORK TOP

- Chipboard coated on both sides with melamine resin with increased durability - 1st class.
- Chipboard with reduced formaldehyde emission, E1 standard.
- 25 mm thick top finished with 2 mm thick ABS plastic edge with 3 mm radius.
- Top affixed to front at the height of 740 mm. - Scallop cut-out as standard.



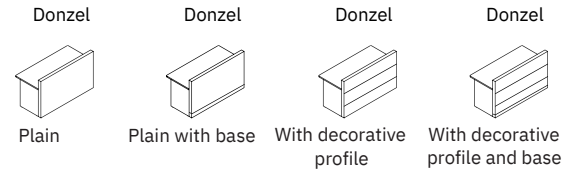
ADD-ON TOP

- All low Donzel reception counters can be equipped with add-on tops (as an option with a surcharge) affixed on 70 mm high chromium-plated plinths Ø 60 mm in diameter.
- Add-on tops are available in two finishes: board and glass.
- 12 mm thick glass add-on tops are finished with Satinato or Black Opti Glass.
- 12 mm thick board add-on tops covered with 0.8 mm thick HPL laminate with 2 mm thick ABS plastic edge with 3 mm radius.



RECEPTION COUNTER FRONT

- Skeleton construction covered with 0.8 mm thick HPL laminate.
- Fronts are equipped with leveling feet +10 mm.
- The elements of reception counters are connected with Lamello screw joiners.



ADDITIONAL EQUIPMENT

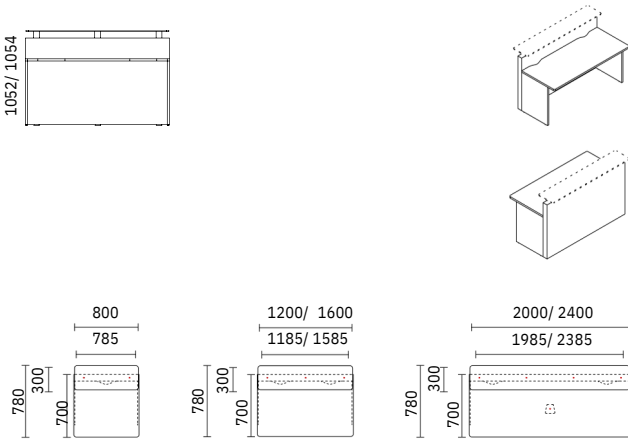
- Horizontal cable channels for the fronts of straight reception counters affixed to the inner side of the fronts or under the work top or flexible cable channels affixed under the work top as an option with a surcharge.



ADDITIONAL INFORMATION

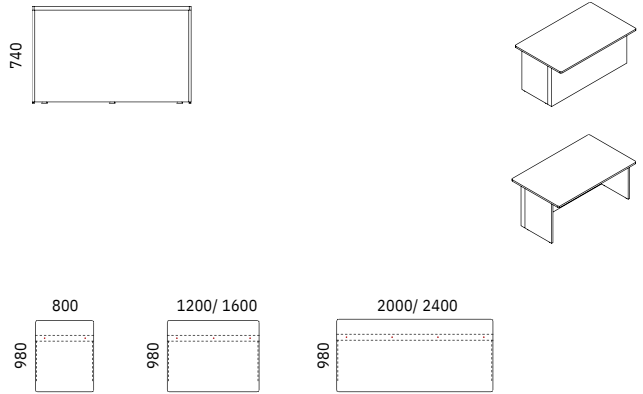
- Bases and decorative elements of reception counters are available only in brushed aluminum colour.
- Due to technology, the sets of reception counters are produced as an inseparable whole and it is impossible to later order additional elements.

High straight reception counter



Low straight reception counter

niska H:740 mm



Multi-element reception counters

WORK TOP

- Chipboard coated on both sides with melamine resin with increased durability - 1st class.
- Chipboard with reduced formaldehyde emission, E1 standard.
- 25 mm thick top finished with 2 mm thick ABS plastic edge with 3 mm radius.
- Work top affixed to front at the height of 740 mm.
- Scalloped cut-out as standard.

ADD-ON TOP

- All low Donzel reception counters can be equipped with add-on tops (as an option with a surcharge) affixed on 70 mm high chromium-plated plinths Ø 60 mm in diameter.
- Add-on tops are available in two options: board and glass.
- 12 mm thick glass add-on tops are finished with Satinato or Black Opti Glass.
- 12 mm thick board add-on tops covered with 0.8 mm thick HPL laminate with 2 mm thick plastic edge with 3 mm radius.

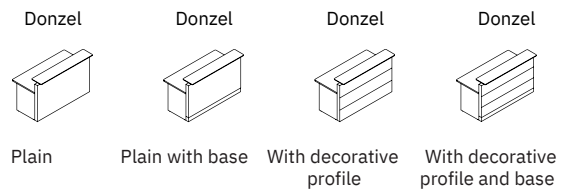


ADDITIONAL EQUIPMENT

- Horizontal cable channels for the fronts of straight reception counters affixed to the inner side of the fronts or under the work top or flexible cable channel affixed under the work top as an option with a surcharge.

RECEPTION COUNTER FRONT

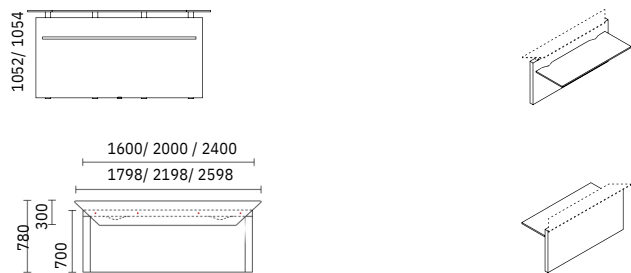
- Skeleton construction covered with 0.8 mm thick HPL laminate. - Fronts are equipped with leveling feet +10 mm.
- The elements of reception counters are connected with Lamello screw joiners.



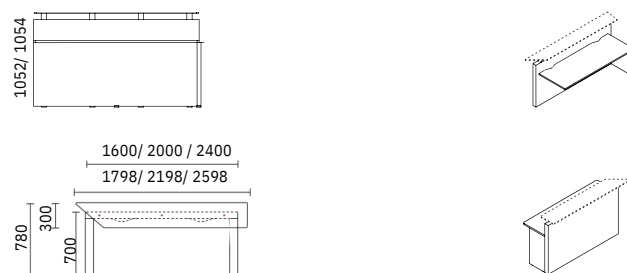
ADDITIONAL INFORMATION

- Bases and decorative elements of reception counters are available only in brushed aluminum colour.
- Due to technology, the sets of reception counters are produced as an inseparable whole and it is impossible to order additional elements later.

Straight reception counter - front element



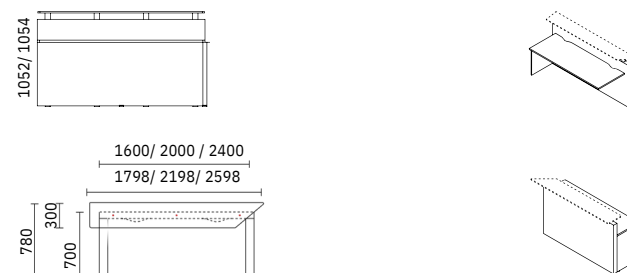
Straight reception counter - left front element



Lada prosta - element boczny zamykający lewy



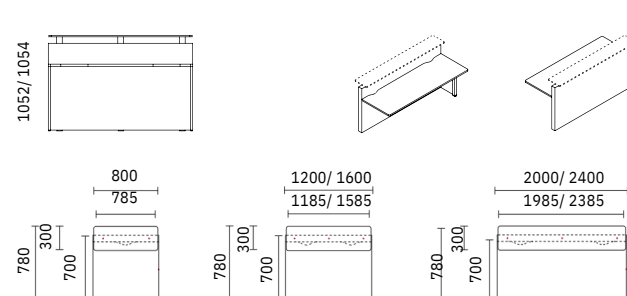
Straight reception counter - right front element



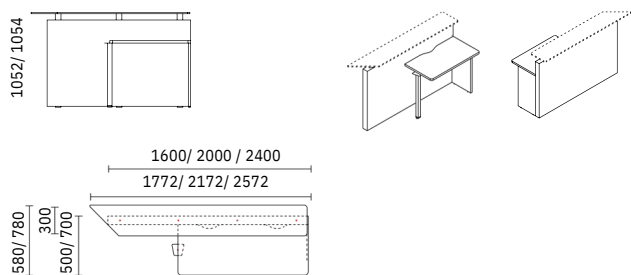
Straight reception counter - right side closing element



Straight reception counter - middle front element



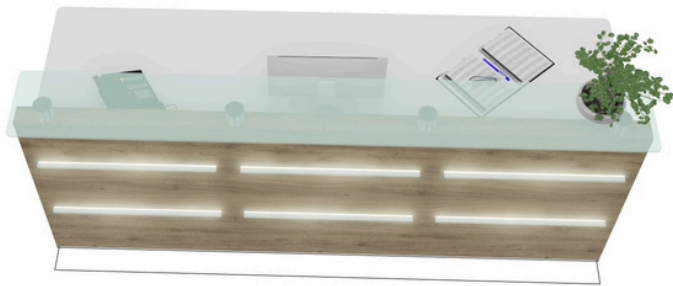
Straight reception counter - left side add-on element



Illuminated reception counters

WORK TOP

- Chipboard coated on both sides with melamine resin with increased durability - 1st class.
- Chipboard with reduced formaldehyde emission, E1 standard.
- 25 mm thick top finished with 2 mm thick ABS plastic edge with 3 mm radius.
- Top affixed to front at the height of 740 mm.
- Scalloped cut-out as standard.



ADD-ON TOP

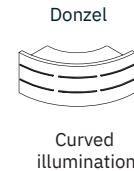
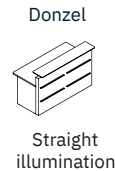
- All low Donzel reception counters can be equipped with add-on tops (as an option with a surcharge) affixed on 70 mm high chromium-plated plinths Ø 60 mm in diameter.
- Add-on tops are available in two options: board and glass.
- 12 mm thick glass add-on tops are finished with Satinato or Black Opti Glass.
- 12 mm thick board add-on tops covered with 0.8 mm thick HPL laminate with 2 mm thick plastic edge with 3 mm radius.

ADDITIONAL EQUIPMENT

- Horizontal cable channels for the fronts of straight and curved reception counters affixed to the inner side of the fronts or under the work top or flexible cable channels affixed under the work top as an option with a surcharge.

RECEPTION COUNTER FRONT

- Skeleton construction covered with 0.8 mm thick HPL laminate. - Fronts are equipped with leveling feet +10 mm. -The elements of reception counters are connected with Lamello screw joiner



AMBIENT LIGHTENING

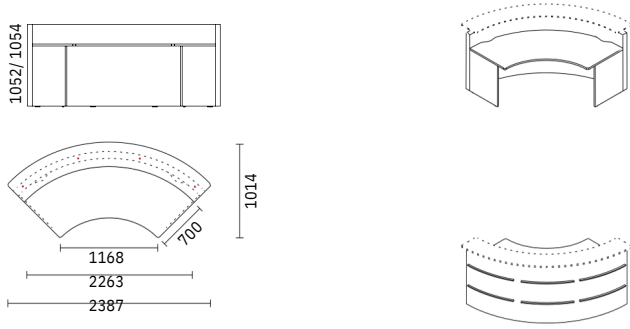
- The fronts of the reception counters are equipped with white LED light in white plastic profiles.



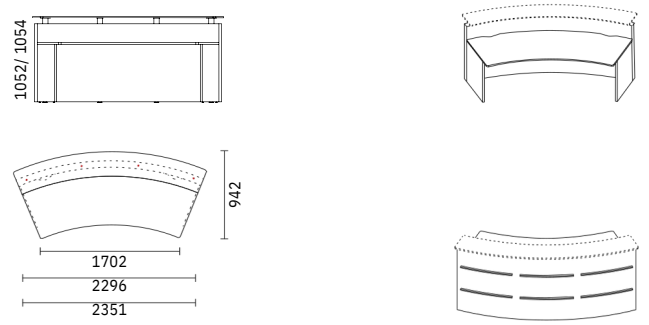
ADDITIONAL INFORMATION

- Bases and decorative elements of reception counters are available only in brushed aluminum colour.
- Due to technology, the sets of reception counters are produced as an inseparable whole and it is impossible to order additional elements later.

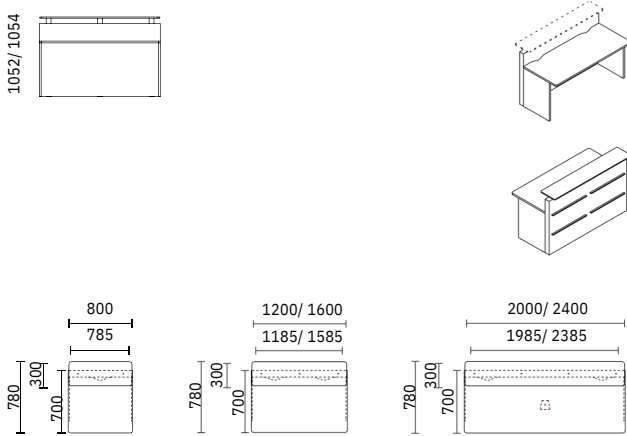
Curved reception counter with illuminated front R: 1600 mm 90°



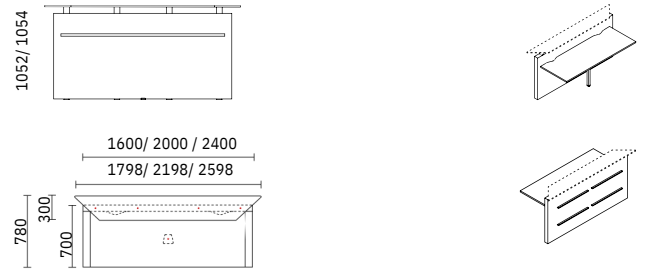
Curved reception counter with illuminated front R: 3000 mm 45°



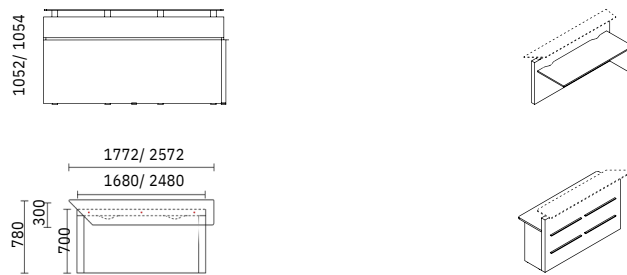
Straight reception counter with illuminated front



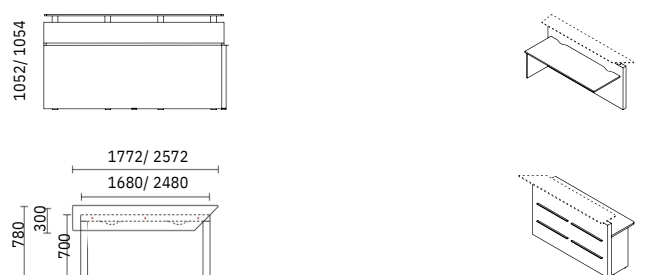
Straight reception counter - front element



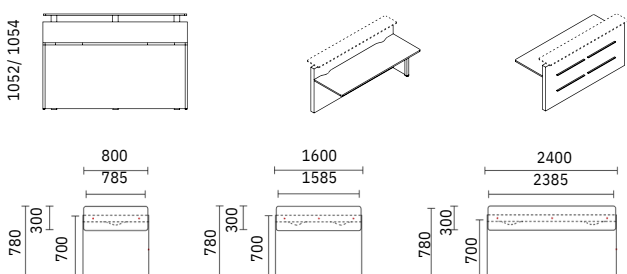
Straight reception counter - left front element



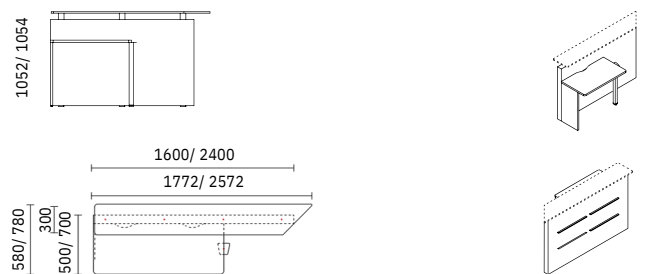
Straight reception counter - right front element



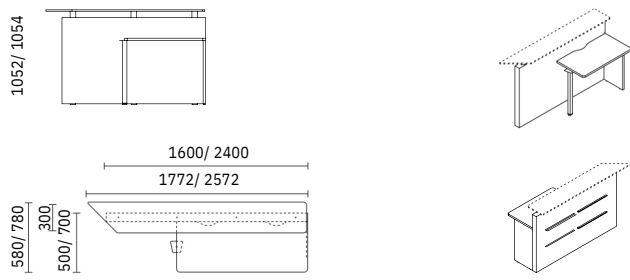
Straight reception counter - middle front element



Straight reception counter - left side add-on element



Straight reception counter - right side add-on element

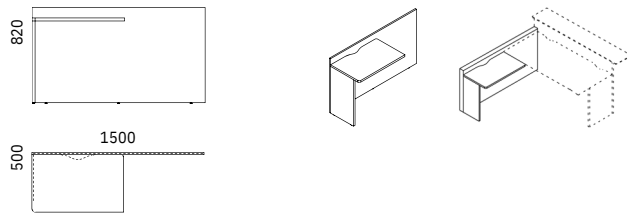


Straight reception counter - left side closing element



Additional elements

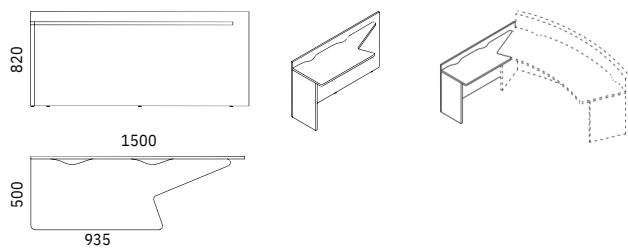
Left add-on desk for straight reception counter*



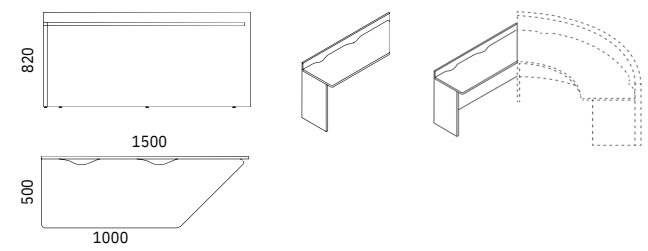
Add-on table for straight reception counter right*



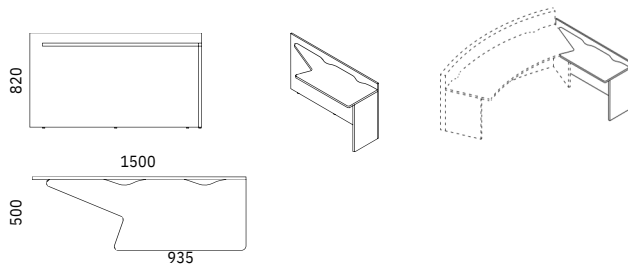
Left add-on desk for curved reception counter R:3000 45°*



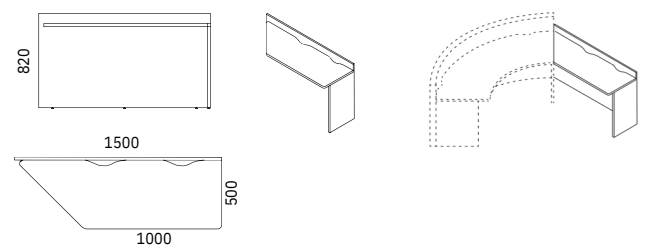
Right add-on desk for curved reception counter R:3000 45°*



Left add-on desk for curved reception counter R:1600 90°*



Right add-on desk for curved reception counter R:1600 90°*



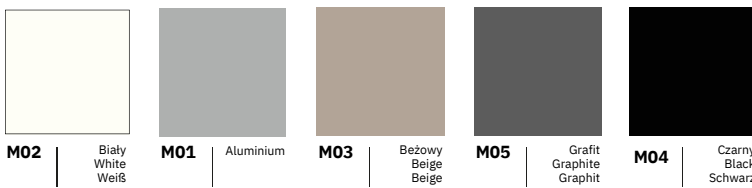
Melamine

① STANDARD



Metal

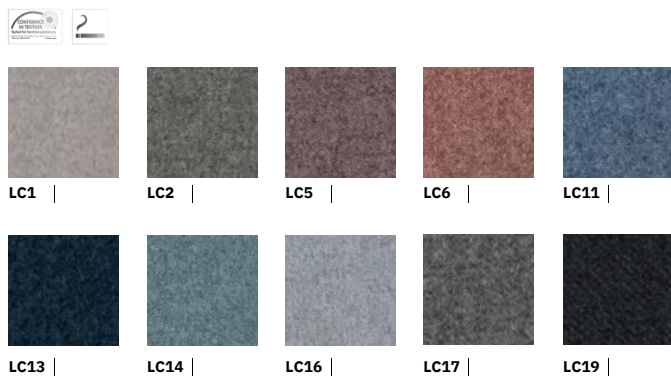
① STANDARD



Fabrics

100% Polyester
100.000 Martindale cycles

① CALDO
Select by Lech



100% Recycled Polyester
67.000 Martindale cycles

① TERRA
Select by Lech



95% Virgin Wool, 5% Poliamid
100.000 Martindale cycles

② SYNERGY
Camira



aura design



Hub Spaces, 582 Honeypot Lane, Stanmore, HA7 1JS, UK
www.auraadesign.co.uk
020 3915 8008
info@auraadesign.co.uk